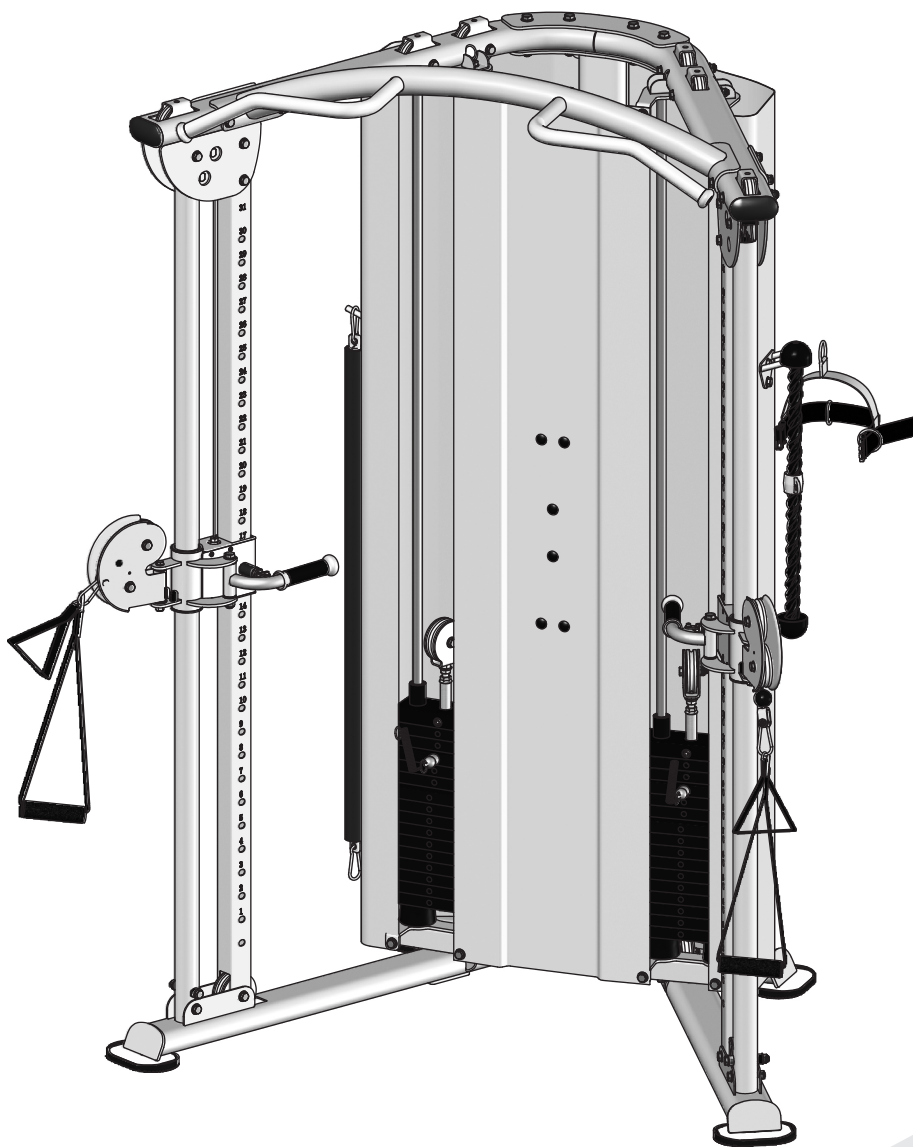


IT9330

DUAL ADJUSTABLE PULLEY

OWNER'S MANUAL



! CAUTION

Read all precautions
and instructions in this manual
before using this equipment

! CAUTION

Read all precautions and instructions in this manual before using this equipment.

Table Of Contents

Important Safety Instructions-----	3
Instructions-----	4
Parts List-----	5
Exploded View -----	7
Measurement Guide-----	8
Assembly Instructions-----	9
Assembly-----	10
Exercise Instructions-----	21
Maintenance Schedule-----	23
General Maintenance Information-----	24
Weight Training Tips-----	25

Important Safety Instructions

Before beginning any fitness program, you should obtain a complete physical examination from your physician. When using exercise equipment, basic precautions should always be taken, including the following:

- * Read all instructions before using the equipment. These instructions are written to ensure your safety and to protect the unit.
- * Do not allow children on or near the equipment.
- * Use the equipment only for its intended purpose as described in this guide. Do not use accessory attachments that are not recommended by the manufacturer: such attachments might cause injuries.
- * Wear proper exercise clothing and shoes for your workout----no loose clothing.
- * Be careful when getting on or off the equipment.
- * Do not overexert yourself or work to exhaustion.
- * If you feel any pain or abnormal symptoms, stop your workout immediately and consult your physician.
- * Never operate the unit when it has been dropped or damaged.
- * Never drop or insert anything into any opening in the equipment.
- * Always check the unit and its cables before each use. Make sure that all fasteners and cables are secure and in good working condition.
- * Frayed or worn cables can be dangerous and may cause injury. Periodically check these cables for any indication of wear.
- * Keep hands, limbs, loose clothing and long hair well out of the way of moving parts.
- * Do not attempt to lift more weight than you can control safely.
- * Do not use the equipment outdoors.

Personal Safety During Assembly

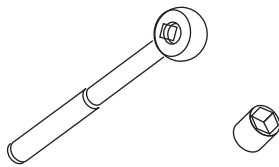
- * Read each step in the assembly instructions and follow the steps in sequence. Do not skip ahead. If you skip ahead, you may learn later that you have to disassemble components and that you may have damaged the equipment.
- * Assemble and operate the equipment on a solid, level surface. Locate the unit a few feet from walls or furniture to provide easy access. The equipment is designed for your enjoyment. By following these precautions and using common sense, you will have many safe and pleasurable hours of healthful exercise with the equipment.

Instructions

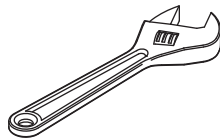
Before beginning assembly please take the time to read instructions thoroughly. Please use the various lists in this manual to make sure that all parts have been included in your shipment. When ordering, use part number and description from the lists. Use only our replacement part when servicing. Failure to do so will void your warranty and could result in personal injury.

The equipment is designed to provide the smoothest, most effective exercise motion possible. After assembly, you should check all functions to ensure correct operation. If you experience problems, first recheck the assembly instructions to locate any possible errors made during assembly. If you are unable to correct the problem, call your authorized dealer. Be sure to have your serial number and this manual when calling. When all parts have been accounted for, continue on.

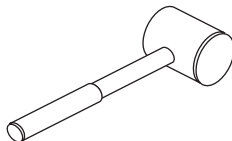
Tools Required



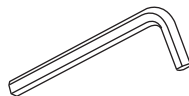
Ratchet Wrench and Socket



Adjustable Wrench



Rubber Mallet



Hex Key Wrench Set

Parts List

NOTE: SOME OF THESE PARTS MAY COME PRE-INSTALLED

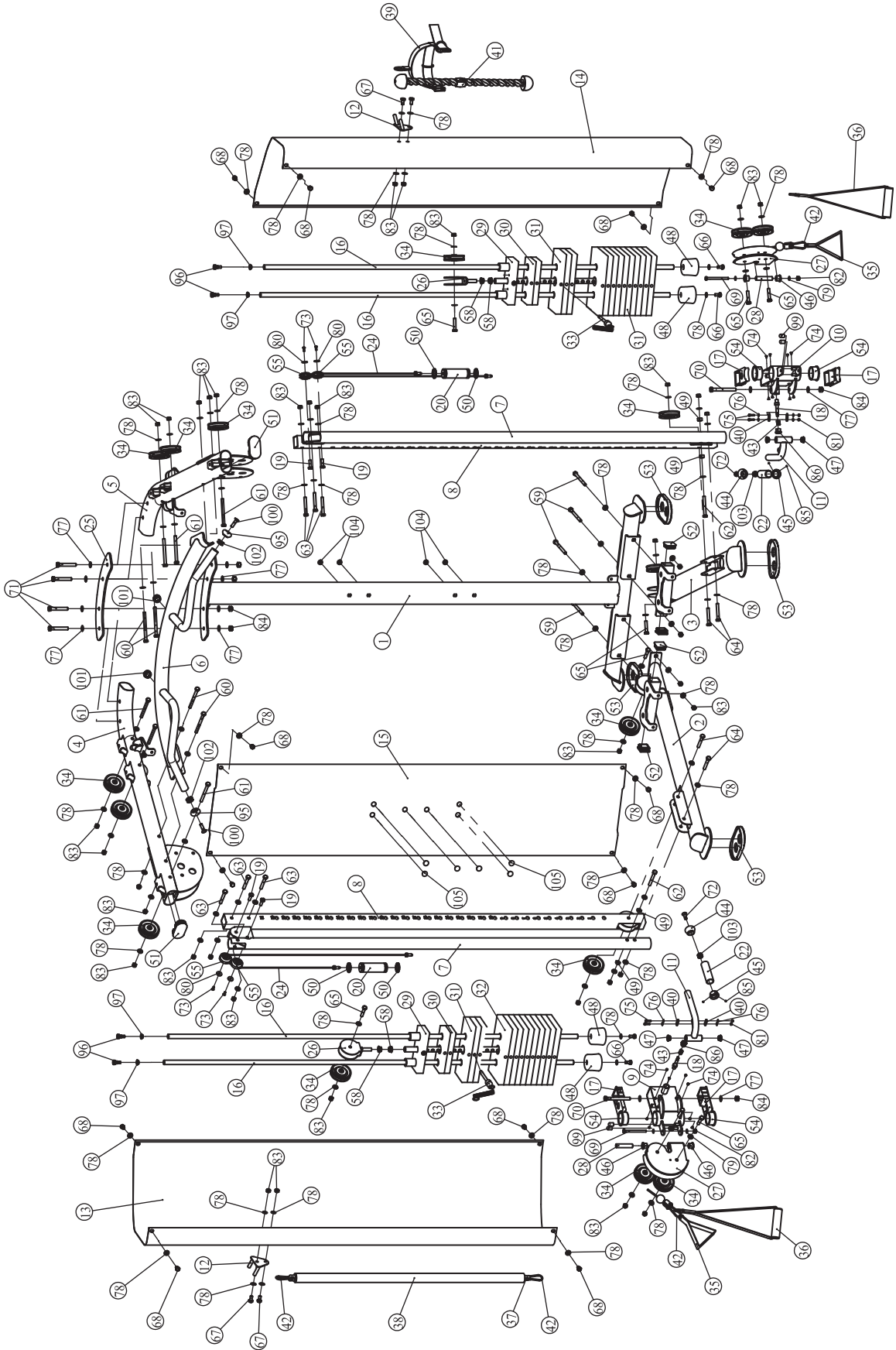
Item No.	Description	Qty	Item No.	Description	Qty
1	Rear Frame	1	25	Top Connective Plate	1
2	Left Bottom Cross Brace	1	26	Pulley Even Frame	2
3	Right Bottom Cross Brace	1	27	Double Pulley Bracket	2
4	Left Top Cross Brace	1	28	Shaft For Pulley Bracket	2
5	Right Top Cross Brace	1	29	Top Plate	2
6	Main Top Beam	1	30	Weight Plate 5lbs	4
7	Guide Frame	2	31	Weight Plate 10lbs	6
8	Adjustive Frame	2	32	Weight Plate 15bs	20
9	Left Slip Frame	1	33	Selector Pin W/Coil	2
10	Right Slip Frame	1	34	Small Pulley	16
11	Handle Frame	2	35	Lat Strap	2
12	Accessory Bracket	2	36	Long Lat Strap	2
13	Left Shroud	1	37	Long Bar	1
14	Right Shroud	1	38	Long Grip	1
15	Front Shroud	1	39	Leg Extension/Curl Strap	1
16	Guide Rod	4	40	Connect Plate	4
17	Plastic Cap	4	41	Tricep Rope	1
18	Pin	2	42	Gear Hook	4
19	Foam Axle	4	43	Spring	2
20	Counterweight Shaft	2	44	Aluminium Grip Cap Φ 25	2
22	Handle Grip	2	45	Aluminium Grip Ring Φ 25	2
23	Pull Cable	2	46	Bronze Bushing ID16	4
24	Accessorial Cable	2	47	Bronze Bushing ID12.8	4

Parts List

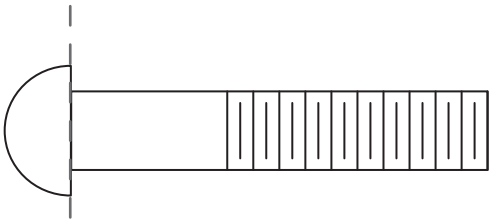
NOTE: SOME OF THESE PARTS MAY COME PRE-INSTALLED

Item No.	Description	Qty	Item No.	Description	Qty
48	Weight Rubber Bumper Φ 76*60	4	74	Self-Tapping Screw ST4.2*10	16
49	Nylon Spacer	4	75	Socket Head Cap Screw M5*20	4
50	Plastic Ring	4	76	Flat Washer Φ 5.5* Φ 12*1	8
51	Plug RT50*100	2	77	Flat Washer Φ 13* Φ 24*1.5	12
52	Plug \square 44.5	4	78	Flat Washer Φ 11* Φ 20*2	92
53	Base Pad	4	79	Flat Washer Φ 9* Φ 16*1.6	4
54	Plastic Tube Guide	4	80	Flat Washer Φ 6.6* Φ 12*1.6	4
55	Small Guide Pulley	4	81	Nylon lock Nut M5	4
58	Hexagonal Lock Nut 1/2"-13	4	82	Nylon lock Nut M8	2
59	Hex Head Bolt M10*135	4	83	Nylon lock Nut M10	38
60	Hex Head Bolt M10*125	4	84	Nylon lock Nut M12	6
61	Hex Head Bolt M10*115	6	85	Socket Set Screw 10-32*3.2	4
62	Hex Head Bolt M10*85	2	86	Lock Nut M20*1.5*18	2
63	Hex Head Bolt M10*75	6	87	Hex Key s=3	1
64	Hex Head Bolt M10*70	4	88	Hex Key s=4	1
65	Hex Head Bolt M10*50	8	90	Hex Key s=6	1
66	Hex Head Bolt M10*25	4	92	Hex Key s=3/32"	1
67	Hex Head Bolt M10*20	4	93	Wrench Φ 6*117	1
68	Hex Head Bolt M10*15	12	94	Lube	1
69	Hex Head Bolt M8*100	2	96	Socket Head Shoulder Screw	4
70	Hex Head Bolt M12*110	2	97	Bushing Φ 21.6* Φ 13.6*6.4	4
71	Hex Head Bolt M12*80	4	100	Flat Head Cap Screw M10*40	2
72	Flat Head Cap Screw M10*30	2	104	Hole Plug Φ 11	4
73	Button Head Cap Screw M6*10	4	105	Screw Decorative Plug	6

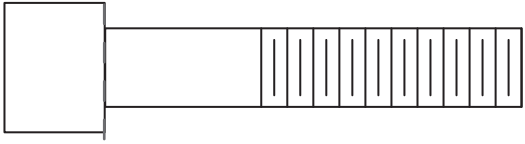
Exploded View



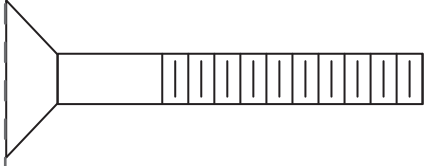
Measurement Guide



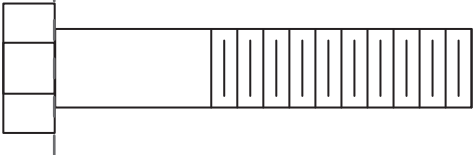
BHCS = Button Head Cap Screw



SHCS = Socket Head Cap Screw



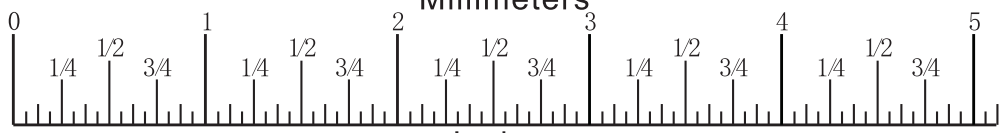
FHCS = Flat Head Cap Screw



HHB = Hex Head Bolt



Millimeters



Inches

Assembly Instructions

Assembly of the equipment takes professional installers about 2 hours. If this is the first time you have assembled this type of equipment, plan to spend more time. It is strongly recommended to assemble the equipment by professional installers. You may find it quicker, safer, easier to assemble this equipment with the help of a friend, as some of components may be large, heavy or awkward to handle alone. It is important that you assemble your product in a clean, clear, uncluttered area. This will enable you to move around the product while you are fitting components and reduce the possibility of injury during assembly.



Note

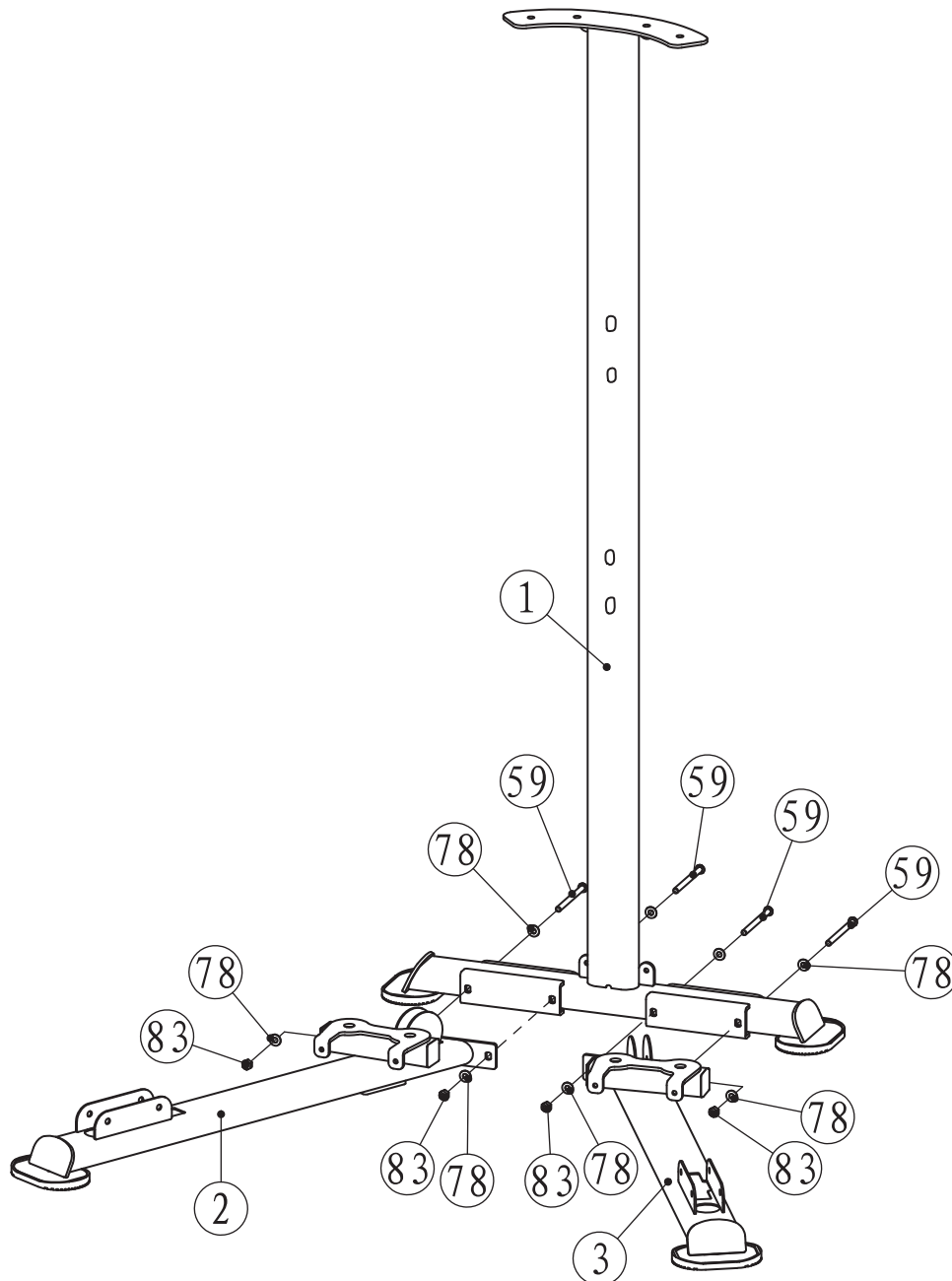
As with any assembled part, proper alignment and adjustment is critical. While tightening the fasteners, be sure to leave room for adjustments. Do not fully tighten the fasteners until instructed to do so. Be careful to assemble the components in the sequence presented in this guide.

Assembly

STEP 1

1. Attach the Left Bottom Cross Brace (#2) to the Rear Frame (#1) using:
two M10*135 HHB (#59) four $\Phi 11*\Phi 20*2$ Flat Washer (#78)
two M10 Nylon lock Nut (#83)
2. Attach the Right Bottom Cross Brace (#3) to the Rear Frame (#1) using:
two M10*135 HHB (#59) four $\Phi 11*\Phi 20*2$ Flat Washer (#78)
two M10 Nylon lock Nut (#83)

Note: Hand tighten Bolts and Nylon Lock Nuts.



Assembly

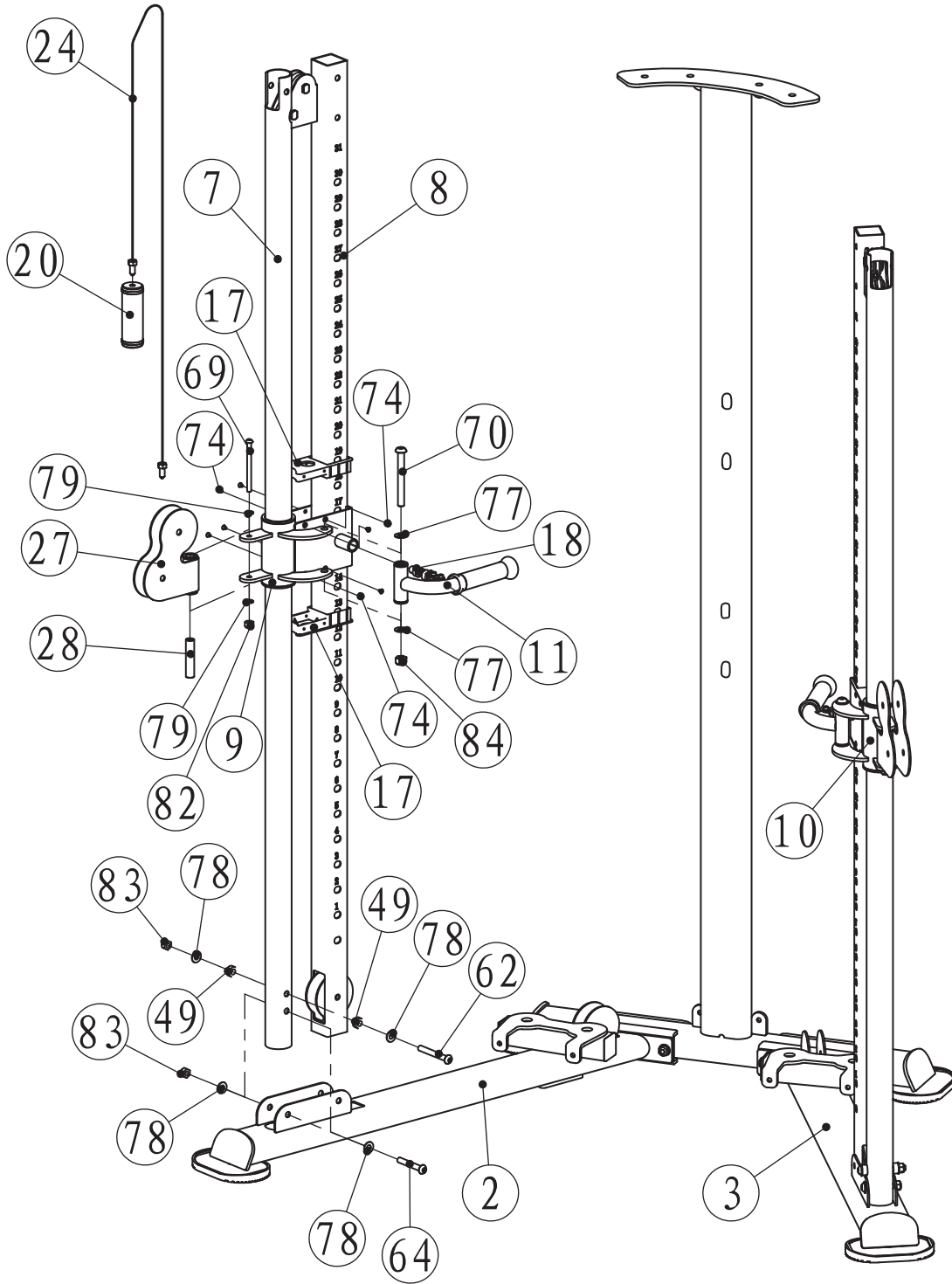
STEP 2

1. Attach the Accessorial Cable (#24) to the Counterweight (#20).
Attach the Guide Frame (#7) to the Left Slip Frame (#9).
Attach the Accessorial Cable (#24) and the Counterweight (#20) to the Guide Frame (#7).
Attach the Accessorial Cable (#24) to the Left Slip Frame (#9).
2. Attach the Adjustive Frame (#8) to the Left Slip Frame (#9), through the hole of the Plastic Cap (#17).
Attach two Plastic Caps (#17) to the Left Slip Frame (#9) using:
eight ST4.2*10 Self-Tapping Screw (#74)
3. Attach two Nylon Spacer (#49) to the Guide Frame (#7) using:
one M10*85 HHB (#62) two Φ 11* Φ 20*2 Flat Washer (#78)
one M10 Nylon lock Nut (#83)
4. Attach the Handle Frame (#11) and the Pin (#18) to the Left Slip Frame (#9) using:
one M12*110 HHB (#70) two Φ 13* Φ 24*1.5 Flat Washer (#77)
one M12 Nylon lock Nut (#84)
5. Attach the Double Pulley Bracket (#27) and the Shaft For Pulley Bracket (#28) to the Left Slip Frame (#9) using:
one M8*100 HHB (#69) two Φ 9* Φ 16*1.6 Flat Washer (#79)
one M8 Nylon lock Nut (#82)
6. Attach the Guide Frame (#7) and the Adjustive Frame (#8) to the Left Bottom Cross Brace (#2) using:
one M10*70 HHB (#64) two Φ 11* Φ 20*2 Flat Washer(#78)
one M10 Nylon lock Nut (#83)
7. Attach the Guide Frame (#7), the Adjustive Frame (#8) and the Right Slip Frame (#10) to the Right Bottom Cross Brace (#3) in the same way.

Note: Hand tighten Bolts and Nylon Lock Nuts.

Assembly

STEP 2



Assembly

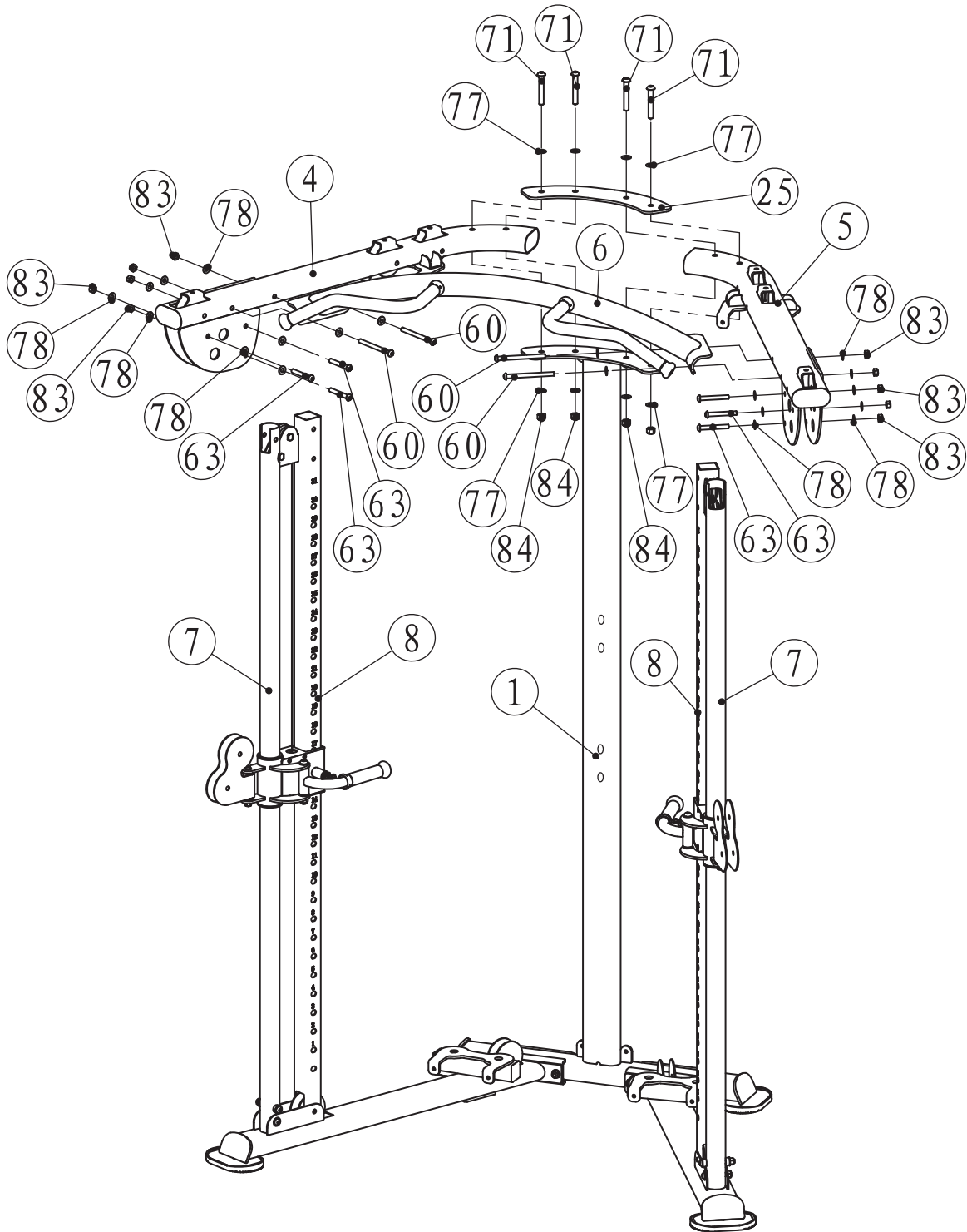
STEP 3

1. Attach the Left Top Cross Brace (#4) to the Guide Frame (#7) and the Adjustive Frame (#8) using:
three M10*75 HHB (#63) six $\Phi 11*\Phi 20*2$ Flat Washer(#78)
three M10 Nylon lock Nut (#83)
2. Attach the Left Top Cross Brace (#4) and the Top Connective Plate (#25) to the Rear Frame (#1) using:
two M12*80 HHB (#71) four $\Phi 13*\Phi 24*1.5$ Flat Washer (#77)
two M12 Nylon Lock Nut (#84)
3. Attach the Right Top Cross Brace (#5) to the Guide Frame (#7) and the Adjustive Frame (#8) using:
three M10*75 HHB (#63) six $\Phi 11*\Phi 20*2$ Flat Washer (#78)
two M10 Nylon Lock Nut (#83)
4. Attach the Right Top Cross Brace (#5) and the Top Connective Plate (#25) to the Rear Frame (#1) using:
two M12*80 HHB (#71) four $\Phi 13*\Phi 24*1.5$ Flat Washer (#77)
two M12 Nylon lock Nut (#84)
5. Attach the Main Top Beam (#6) to the Left Top Cross Brace (#4) using:
two M10*125 HHB(#60) four $\Phi 11*\Phi 20*2$ Flat Washer (#78)
two M10 Nylon lock Nut (#83)
6. Attach the Main Top Beam (#6) to the Right Top Cross Brace (#5) using:
two M10*125 HHB (#60) four $\Phi 11*\Phi 20*2$ Flat Washer (#78)
two M10 Nylon lock Nut(#83)

Note: Hand tighten Bolts and Nylon Lock Nuts.

Assembly

STEP 3



Assembly

STEP 4

1. Attach:

two Guide Rod (#16)

ten Weight Plate 15LBS (#32)

two Weight Plate 5LBS (#30)

two $\Phi 76*60$ Weight Rubber Bumper (#48)

three Weight Plate 10LBS (#31)

one Top Plate (#29)

to the Left Bottom Cross Brace (#2) and the Left Top Cross Brace (#4) using:

two M10*25 HHB (#66)

two $\Phi 11*\Phi 20*2$ Flat Washer (#78)

two $\Phi 21.6*\Phi 13.6*6.4$ Spacers (#97)

two M10*25.9 Socket Head Shoulder Screw (#96)

Attach the Selector Pin W/Coil (#33) to the Top Plate (#29).

Attach the Pulley Even Frame (#26) and the two Hexagonal Lock Nut $\frac{1}{2}$ "-13 (#58) to the Top Plate (#29).

2. Attach:

two Guide Rod (#16)

ten Weight Plate 15LBS (#32)

two Weight Plate 5LBS (#30)

two $\Phi 76*60$ Weight Rubber Bumper (#48)

three Weight Plate 10LBS (#31)

one Top Plate (#29)

to the Right Bottom Cross Brace (#3) and the Right Top Cross Brace (#5) using:

two M10*25 HHB (#66)

two $\Phi 11*\Phi 20*2$ Flat Washer (#78)

two $\Phi 21.6*\Phi 13.6*6.4$ Spacers (#97)

two M10*25.9 Socket Head Shoulder Screw (#96)

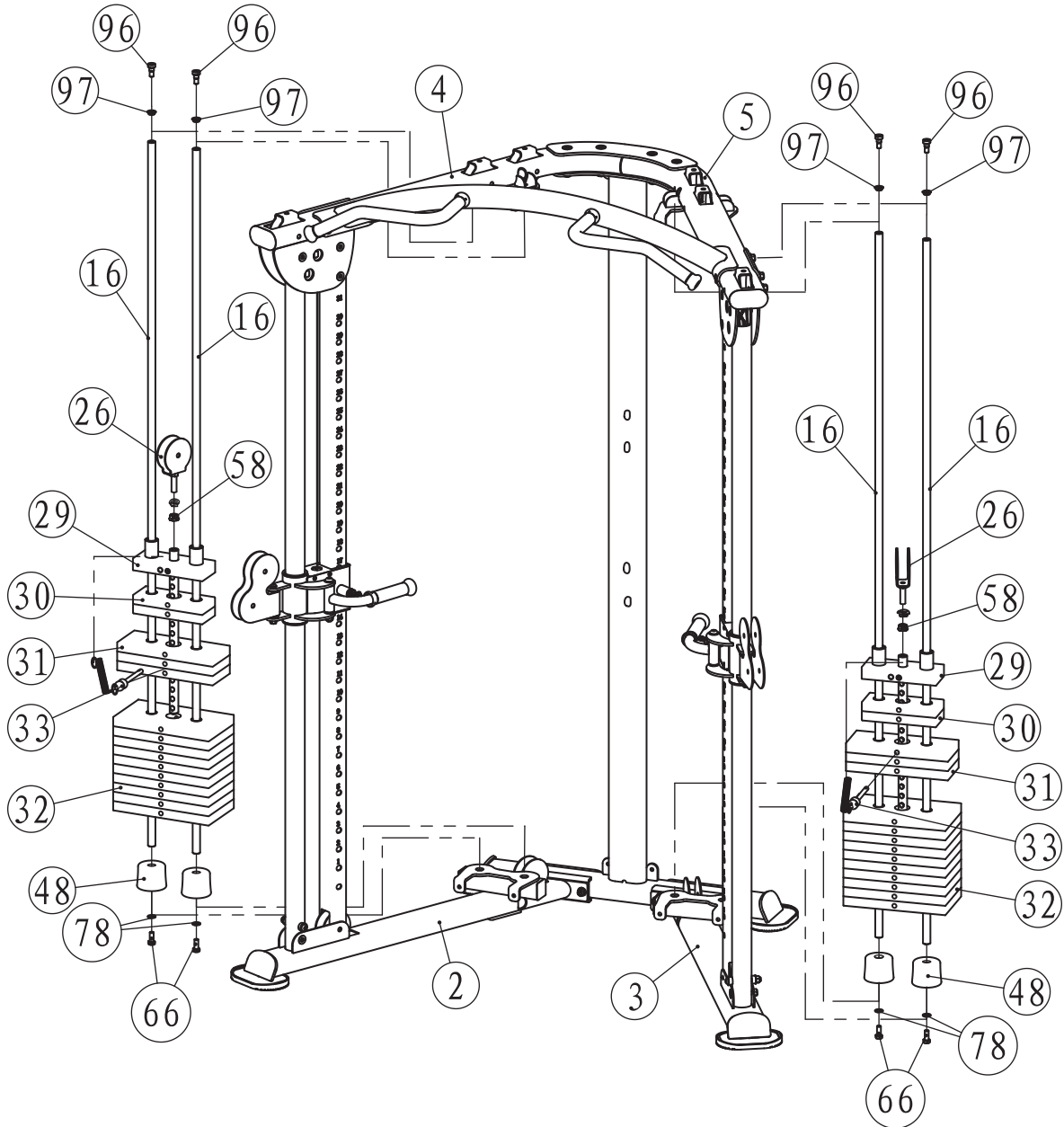
Attach the Selector Pin W/Coil (#33) to the Top Plate (#29).

Attach the Pulley Even Frame (#26) and the two Hexagonal Lock Nut $\frac{1}{2}$ "-13 (#58) to the Top Plate (#29).

Note: Hand tighten Bolts and Nylon Lock Nuts.

Assembly

STEP 4



Assembly

STEP 5

1. Attach the Pull Cable (#23) to the Left Slip Frame (#9).
Attach one Small Pulley (#34) to the Adjustive Frame (#8) using:
one M10*70 HHB (#64) two $\Phi 11 \times \Phi 20 \times 2$ Flat Washer (#78)
one M10 Nylon lock Nut (#83)
2. Attach one Small Pulley (#34) to the Left Bottom Cross Brace (#2) using:
one M10*50 HHB (#65) two $\Phi 11 \times \Phi 20 \times 2$ Flat Washer (#78)
one M10 Nylon lock Nut (#83)
3. Attach three Small Pulley (#34) to the Left Top Cross Brace (#4) using:
three M10*115 HHB (#61) six $\Phi 11 \times \Phi 20 \times 2$ Flat Washer (#78)
three M10 Nylon lock Nut (#83)
4. Attach one Small Pulley (#34) to the Pulley Even Frame (#26) using:
one M10*50 HHB (#65) two $\Phi 11 \times \Phi 20 \times 2$ Flat Washer (#78)
one M10 Nylon lock Nut (#83)
5. Attach two Small Pulley (#34) to the Double Pulley Bracket (#27) using:
two M10*50 HHB (#65) four $\Phi 11 \times \Phi 20 \times 2$ Flat Washer (#78)
two M10 Nylon lock Nut (#83)

Note: Hand tighten Bolts and Nylon Lock Nuts.

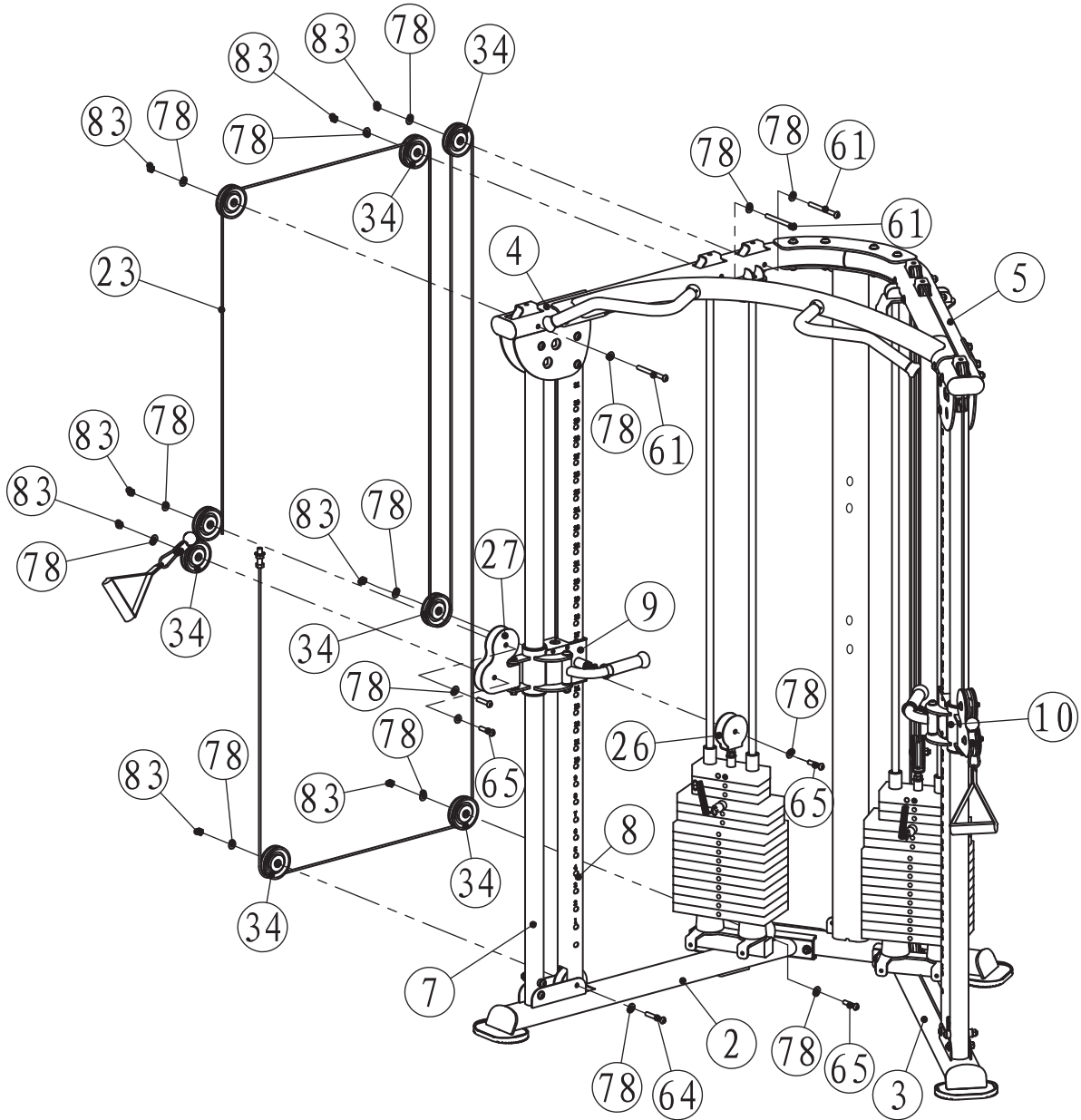
STEP 6

1. Attach the Left Shroud (#13) to the Rear Frame (#1), the Left Bottom Cross Brace (#2) and the Left Top Cross Brace (#4) using:
four M10*15 HHB (#68) four $\Phi 11 \times \Phi 20 \times 2$ Flat Washer (#78)
2. Attach the Right Shroud (#14) to the Rear Frame (#1), the Right Bottom Cross Brace (#3) and the Right Top Cross Brace (#5) using:
four M10*15 HHB (#68) four $\Phi 11 \times \Phi 20 \times 2$ Flat Washer (#78)
3. Attach the Front Shroud (#15) to the Left Bottom Cross Brace (#2), the Right Bottom Cross Brace (#3), the Left Top Cross Brace (#4) and the Right Top Cross Brace (#5) using:
four M10*15 HHB (#68) four $\Phi 11 \times \Phi 20 \times 2$ Flat Washer (#78)
4. Attach the Accessory Bracket (#12) to the Left Shroud (#13) using:
two M10*20 HHB (#67) four $\Phi 11 \times \Phi 20 \times 2$ Flat Washer (#78)
two M10 Nylon lock Nut (#83)
5. Attach the Accessory Bracket (#12) to the Right Shroud (#14) using:
two M10*20 HHB (#67) four $\Phi 11 \times \Phi 20 \times 2$ Flat Washer (#78)
two M10 Nylon lock Nut (#83)

Note: Hand tighten Bolts and Nylon Lock Nuts.

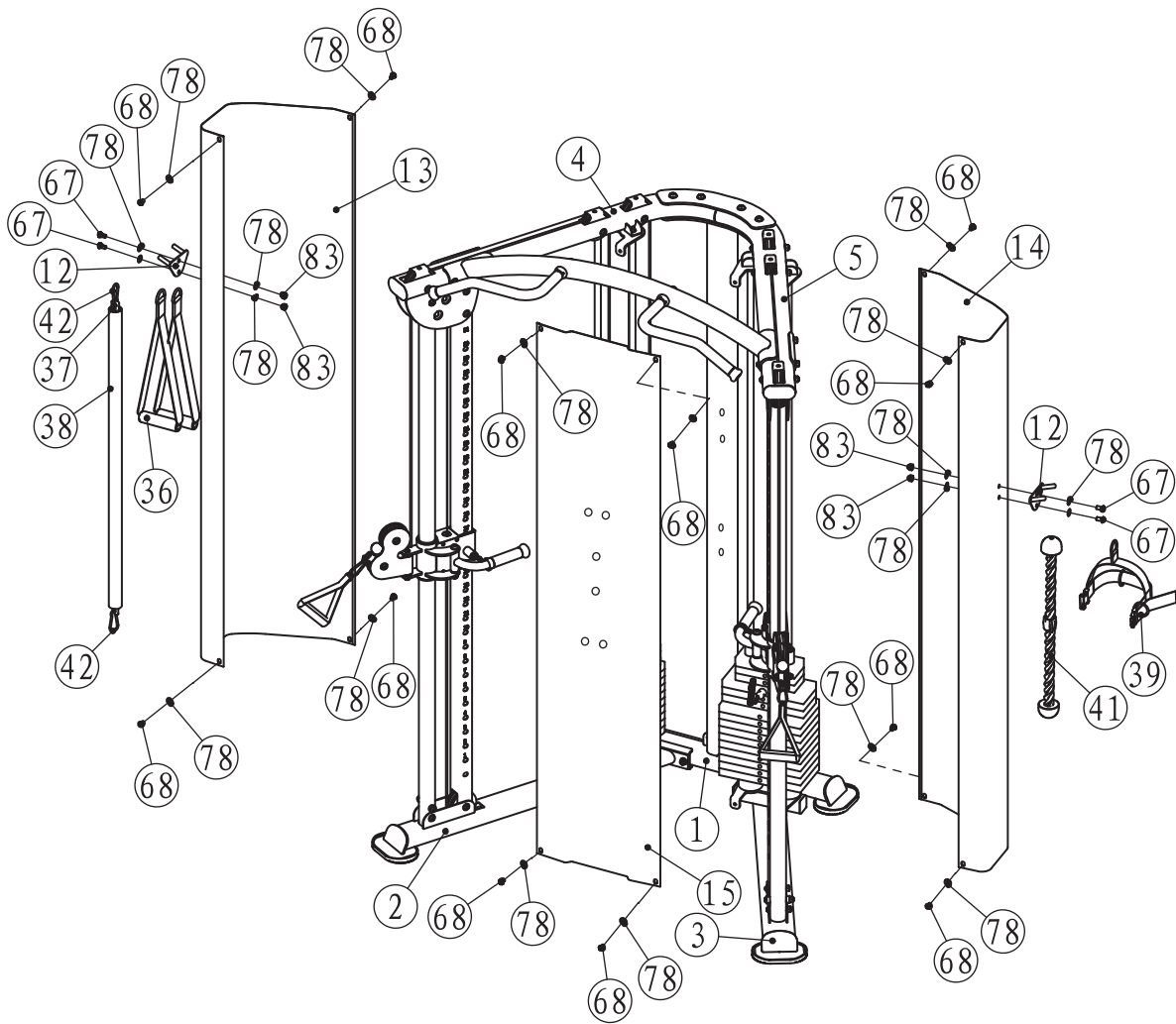
Assembly

STEP 5



Assembly

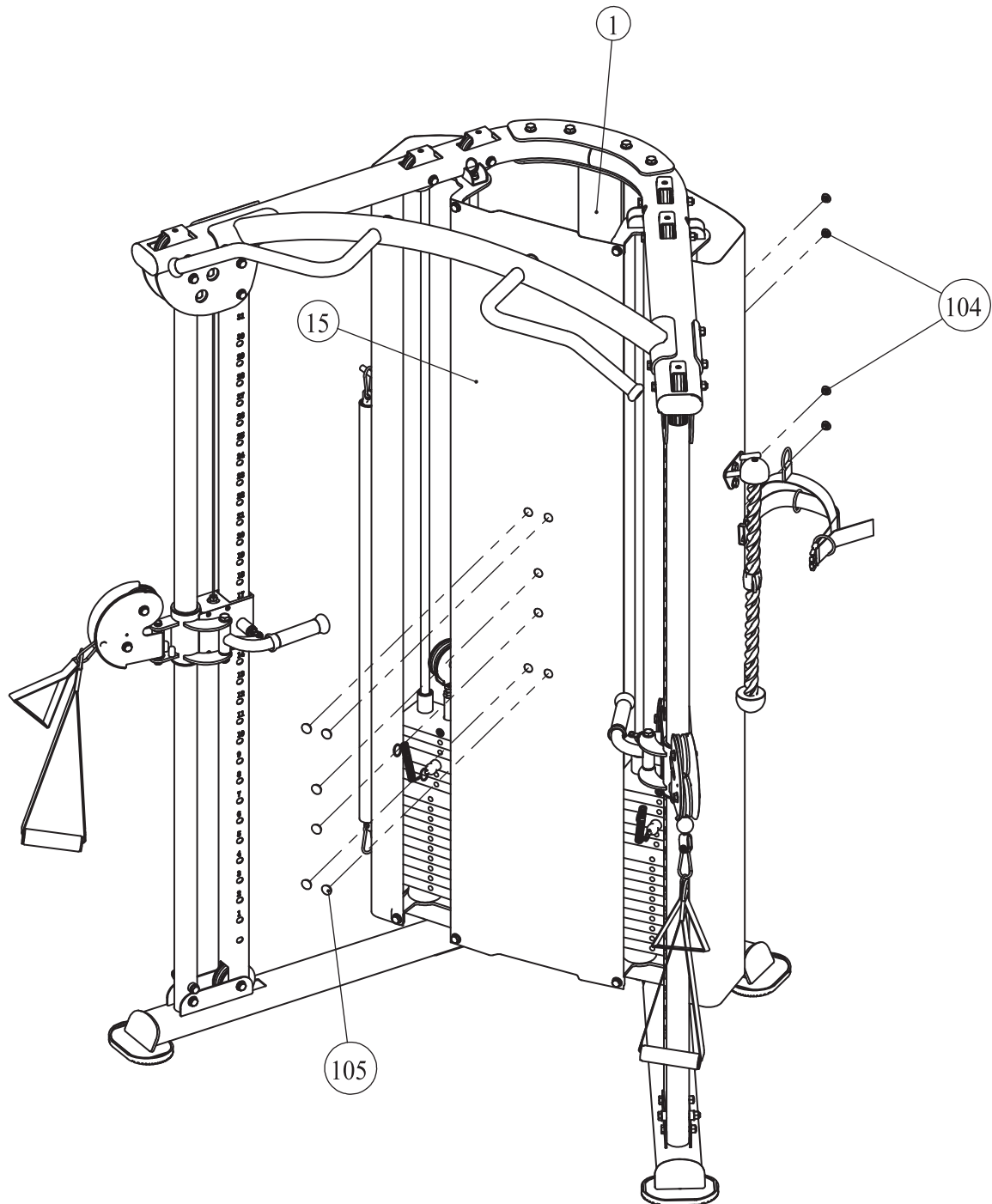
STEP 6



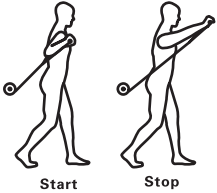
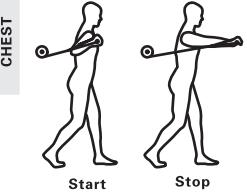
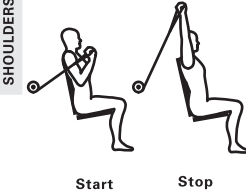
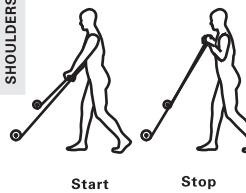
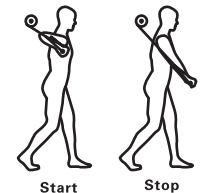
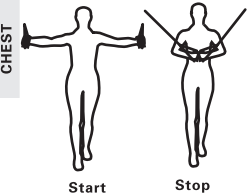
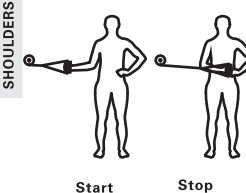
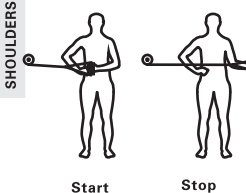
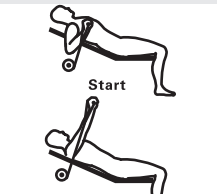
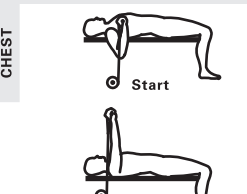
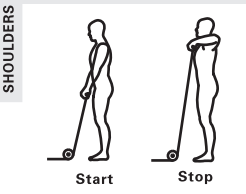
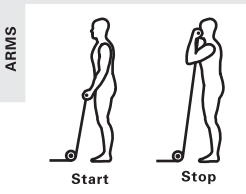
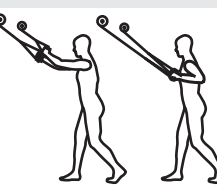
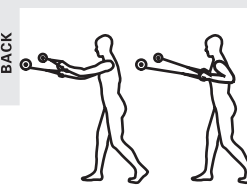
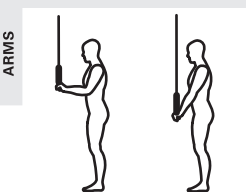
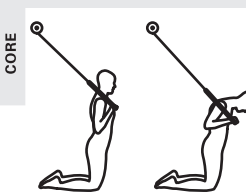
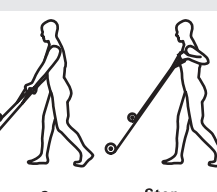
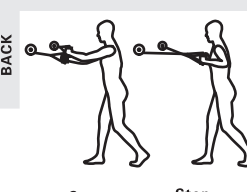

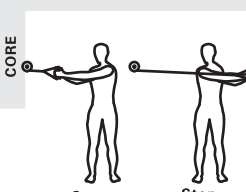
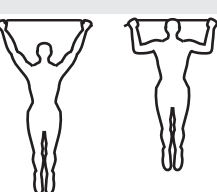
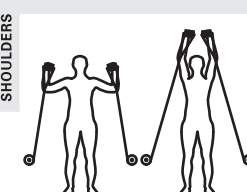
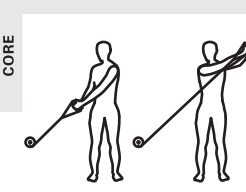
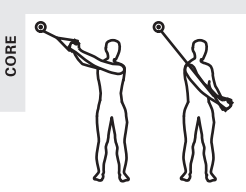
Assembly

STEP 7

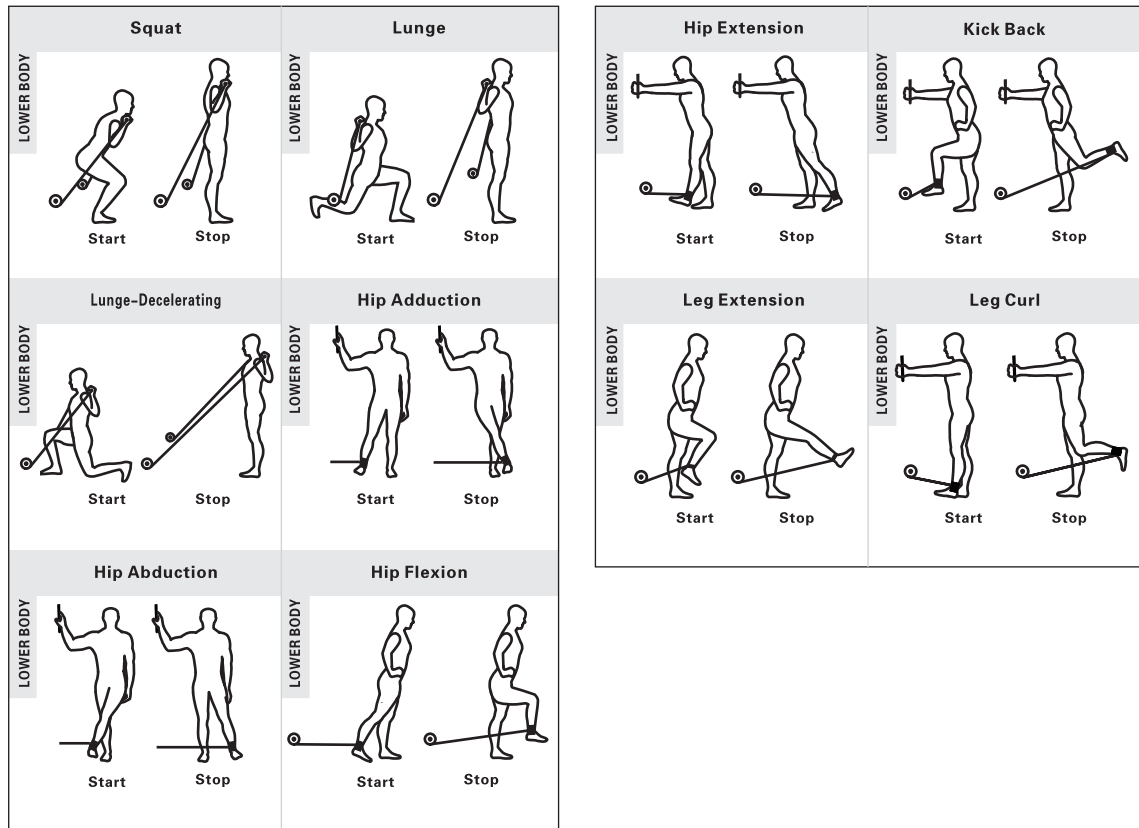
1. Attach four Hole Plug $\Phi 11$ (#104) to the Rear Frame (#1).
2. Attach six Screw Decorative Plug (#105) to the Front Shroud (#15).



Exercise Instructions

<p>Incline Press</p> <p>CHEST</p>  <p>Start Stop</p>	<p>Chest Press</p> <p>CHEST</p>  <p>Start Stop</p>	<p>Seated Shoulder Press</p> <p>SHOULDERS</p>  <p>Start Stop</p>	<p>Lateral Raise</p> <p>SHOULDERS</p>  <p>Start Stop</p>
<p>Decline Press</p> <p>CHEST</p>  <p>Start Stop</p>	<p>Pec Fly</p> <p>CHEST</p>  <p>Start Stop</p>	<p>Internal Rotation</p> <p>SHOULDERS</p>  <p>Start Stop</p>	<p>External Rotation</p> <p>SHOULDERS</p>  <p>Start Stop</p>
<p>Incline Press</p> <p>CHEST</p>  <p>Start Stop</p>	<p>Chest Press</p> <p>CHEST</p>  <p>Start Stop</p>	<p>Upright Row</p> <p>SHOULDERS</p>  <p>Start Stop</p>	<p>Bicep Curl</p> <p>ARMS</p>  <p>Start Stop</p>
<p>High Row</p> <p>BACK</p>  <p>Start Stop</p>	<p>Mid Row</p> <p>BACK</p>  <p>Start Stop</p>	<p>Tricep Press Down</p> <p>ARMS</p>  <p>Start Stop</p>	<p>Kneeling Crunch</p> <p>CORE</p>  <p>Start Stop</p>
<p>Low Row</p> <p>BACK</p>  <p>Start Stop</p>	<p>Rear Deltoid</p> <p>BACK</p>  <p>Start Stop</p>	<p>Dead Lift</p> <p>CORE</p>  <p>Start Stop</p>	<p>Core Rotation</p> <p>CORE</p>  <p>Start Stop</p>
<p>Pull Up</p> <p>BACK</p>  <p>Start Stop</p>	<p>Shoulder Press</p> <p>SHOULDERS</p>  <p>Start Stop</p>	<p>Core Rotation Incline</p> <p>CORE</p>  <p>Start Stop</p>	<p>Core Rotation Decline</p> <p>CORE</p>  <p>Start Stop</p>

Exercise Instructions



Adjust weight according to the select pin

Specifications

Class: S

Maximum Wt. Capacity: 2*91Kg/ 200lbs.

Maximum Load of Trainer: 150Kg/ 330lbs.

Maintenance Schedule

ROUTINE	COMMERCIAL MAINTENANCE	HOME MAINTENANCE	LATEST DATE ENTRY						
Inspect; Links, Pull Pins, Snap Locks, Swivels, Weight Stack Pins	DAILY	WEEKLY							
Clean; Upholstery	DAILY	WEEKLY							
Inspect; Cables or Belts and their tension	DAILY	WEEKLY							
Inspect; Accessory Bars, and Handles	WEEKLY	3 MONTHS							
Inspect; All Decals	WEEKLY	3 MONTHS							
Inspect; All Nuts and Bolts, Tighten if needed	WEEKLY	3 MONTHS							
Inspect; Anti-Skid Surface	WEEKLY	3 MONTHS							
Clean & Lubricate; Guide Rods with a Teflon (PTFE) based lubricant (Supertube)	MONTHLY	3 MONTHS							
Lubricate; Seat Sleeves, Turcite Bushings, Linear Bearing	MONTHLY	3 MONTHS							
Clean and Wax; All Glossy Finishes	6 MONTHS	YEARLY							
Repack with Grease; Linear Bearings	6 MONTHS	YEARLY							
Replace; Cables, Belts and Connecting Parts	YEARLY	3 YEARS							

Your equipment comes with a commercial maintenance decal. For personal, in home use, please follow the home maintenance schedule listed above.

General Maintenance Information

Links, Pull-Pins, Snap Hooks, Swivels, Weight Stack Pins:

- *Check all pieces for signs of visible wear or damage.
- *Check springs in snap hooks and pull-pins for proper tension and alignment.
- *If the spring sticks or has lost its rigidity, replace it immediately.

Upholstery:

- *To ensure prolonged upholstery life and proper hygiene, all upholstered pads should be wiped down with a damp cloth after every workout.
- *Periodically take the time to use a mild soap or an approved vinyl upholstery cleaner to deter the onset of cracking or drying. Avoid using any abrasive cleaners or cleaners not intended for use on vinyl.
- *Replace ripped or worn upholstery immediately.
- *Keep sharp or pointed objects clear of all upholstery.

Decals:

- *Inspect and familiarize yourself with any safety warnings or other user information posted on each decal.

Nuts and Bolts:

- *Inspect all nuts and bolts for any loosening and tighten if needed.
- *Go through a re-tightening sequence periodically to ensure that all hardware is tensioned proper.

Anti-Skid Surfaces:

- *These surfaces are designed to supply secure footing and need to be replaced if they appear worn or become slippery.

Belts and Cables:

- *We use only high quality belt, and mil-spec cables.
- *Visually inspect the belts and cables for fraying, cracking, peeling or discoloration.
- *While the machine is not in use, carefully run your fingers along the belt or cable to feel for thinning or bulging areas.
- *Replace belts and cables immediately at the first signs of damage or wear. Do not use equipment until belts or cables have been replaced.

Belt and Cable Tension:

- *Referring to the Owners Manual, when belts or cables are used check all bolts attachments to be sure they are properly attached.
- *Check slack in cables and re-adjust cable tension if needed.

Seat Sleeves, Guide Rods:

- *Wipe down adjusting tubes with a dust free rag before applying lubricant.
- *Lubricate seat sleeves and Guide Rods with a Silicon or Teflon based lubricant spray.

Linear Bearings:

- *Referring to the Owners Manual carefully disassemble the bearing from its housing and place a finger full of light grease (lithium, super lube, etc.) into the inside of the bearing. Using your finger, press the grease into the ball-bearings and their tracks. repeat until the ball-bearing tracks are full of grease. Insert the shaft back into the bearing and wipe off excess grease.

PLEASE KEEP THIS FOR YOUR RECORDS

Weight Training Tips

Use this manual to guide you through the basic exercises you can perform on your equipment. To gain maximum results and avoid possible injury, consult a fitness professional to develop your complete exercise program.

Always consult your physician before starting any exercise program.

To be successful in your exercise program, it is important to develop an understanding of the basic principles of strength training. Now that you have your equipment, it is only natural that you want to get started immediately. First, determine a set of realistic goals and objectives for yourself. By deciding on an exercise plan that is right for you prior to starting, you will contribute significantly to your success.

Warm up properly before engaging in weight resistance training. Stretching, yoga, jogging, calisthenics or other cardiovascular exercise can help prepare your body for the heavier workload of lifting weights.

Learn how to perform the exercise correctly before using heavy weight. Correct form is important to avoid injury and to ensure that you work the proper muscle groups.

Know your limitations. If you are new to weight training or are embarking on an exercise regimen after a long layoff, start slowly and build foundational strength over a longer period of time.

Pay attention to your breathing. Exhale when you exert is a general rule of thumb. Never hold your breath.

